

PC-658R

CEILING MOUNT SPEAKER

The PC-658R is a ceiling mount speaker with a resin panel and speaker frame. It features a spring clamp mechanism for easy speaker mounting to the ceiling. The input impedance can be easily changed by adjusting the tap position of the transformer.



Article number: PC-658R
Alternative products: PC-648R, PC-1867F

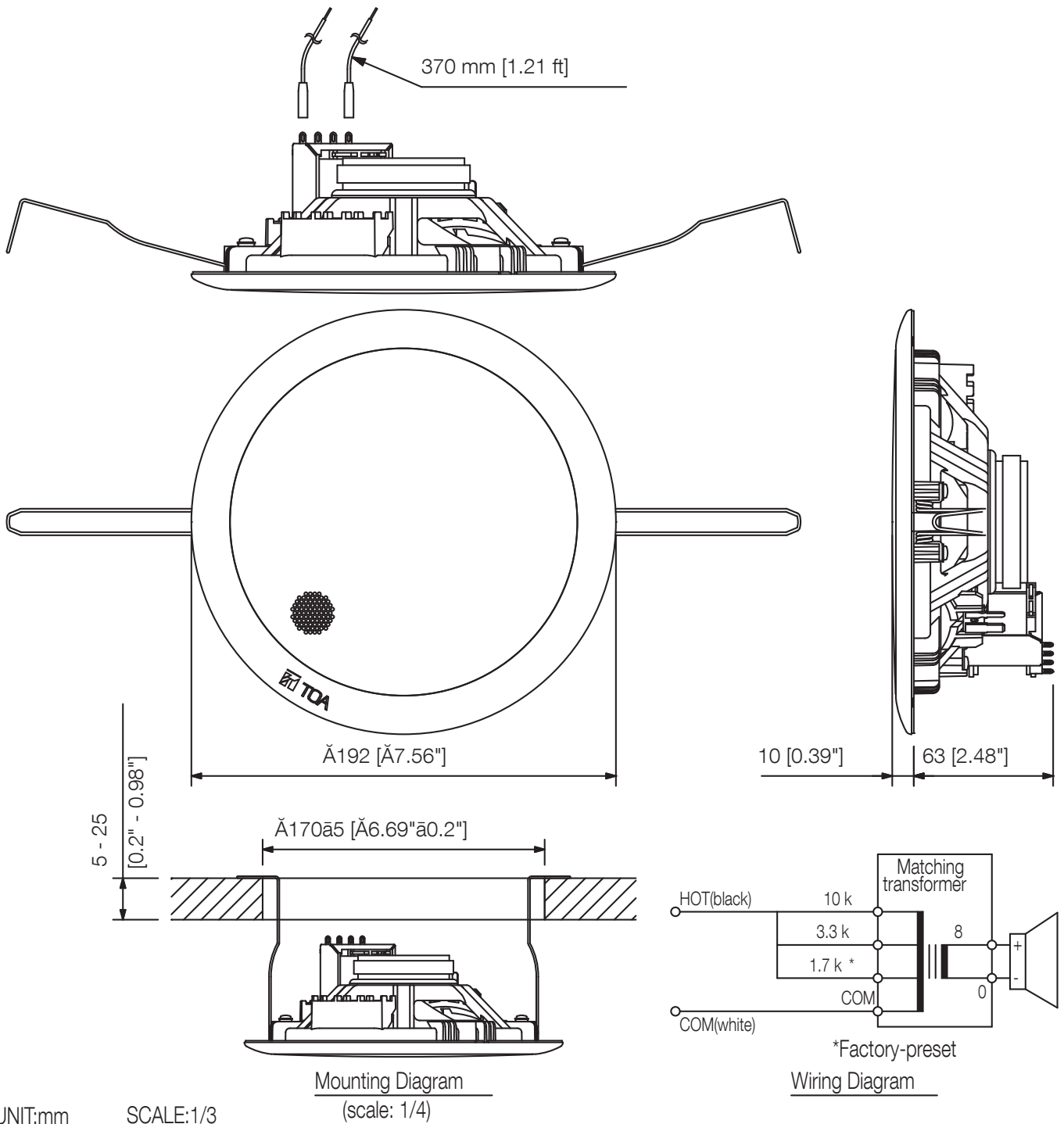
Specifications

Dimensions (W x H x D)	x 73
Dimensions (ø x D)	192 x 73 mm
Finish	Polypropylene resin, off-white (RAL 9010 or equivalent),

PC-658R

CEILING MOUNT SPEAKER

Appearance



UNIT:mm

SCALE:1/3